

[Select Vehicle](#) | [New TSBs](#) | [Technician's Reference](#) | Component Search:[Conversion Calculator](#)**2010 Chevrolet Camaro V8-6.2L**[Vehicle Level](#) → [Powertrain Management](#) → [Fuel Delivery and Air Induction](#) → [Fuel Tank](#) → [Service and Repair](#) → [Procedures](#) ↗**Procedures****Fuel Tank Draining****Special Tools**

- J 42960-2 Fuel Flapper Door Holder
- J 45004 Fuel Tank Drain Hose
- Commercially Available [Fuel Pump](#)

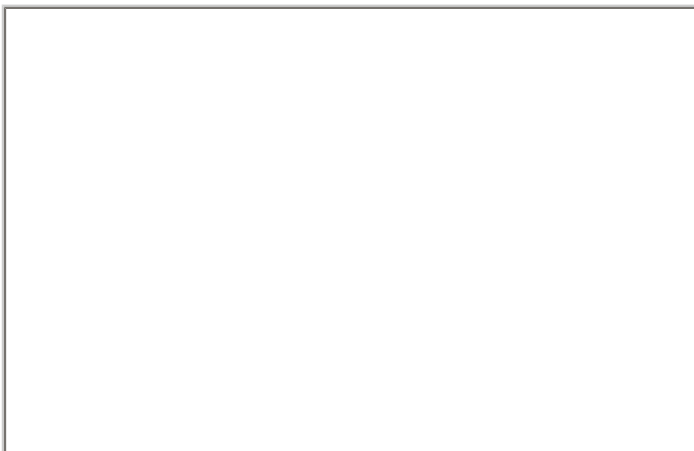
**Fuel Tank Draining Method 1**

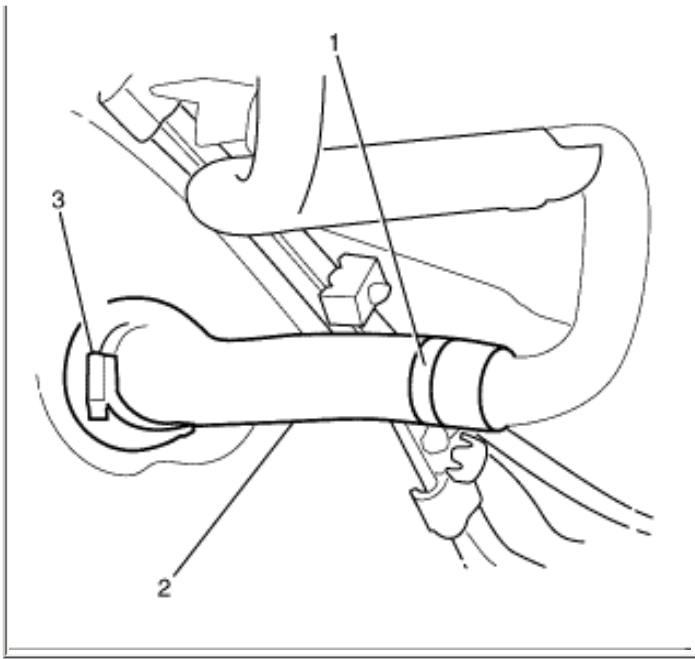
1. Ignition OFF. Warning: Refer to Battery Disconnect Warning ([See: Starting and Charging\Battery\Service Precautions](#)).
2. Disconnect the battery negative cable. Refer to Battery Negative Cable Disconnection and Connection ([See: Starting and Charging\Battery\Battery Cable, Negative\Service and Repair\Battery Negative Cable Disconnection and Connection](#)).

**Danger:** To avoid any vehicle damage, serious personal injury or death, always use the jackstands to support the vehicle when lifting the vehicle with a jack.

**Warning:** Refer to Safety Glasses Warning ([See: Service Precautions\Technician Safety Information\Safety Glasses Warning](#)).

3. Raise and support the vehicle. Refer to Lifting and Jacking the Vehicle ([See: Maintenance\Vehicle Lifting\Service and Repair](#)).
4. Remove the right rear wheel. Refer to Tire and Wheel Removal and Installation ([See: Maintenance\Wheels and Tires\Service and Repair](#)).



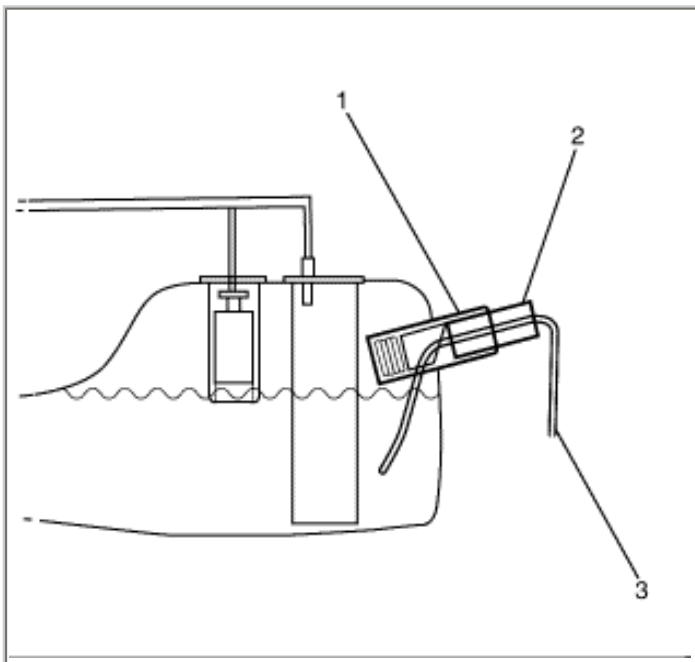


Warning: Refer to Gasoline/Gasoline Vapors Warning ([See: FuelService Precautions](#)).

### Warning

Never drain or store fuel in an open container. Always use an approved fuel storage container in order to reduce the chance of fire or explosion.

5. Remove the retaining hose clamp (1) from the [fuel filler hose](#) (2).
6. Remove the retaining hose clamp (3) from the [fuel filler hose](#) (2).
7. Remove the [fuel filler hose](#) (2) from the vehicle.

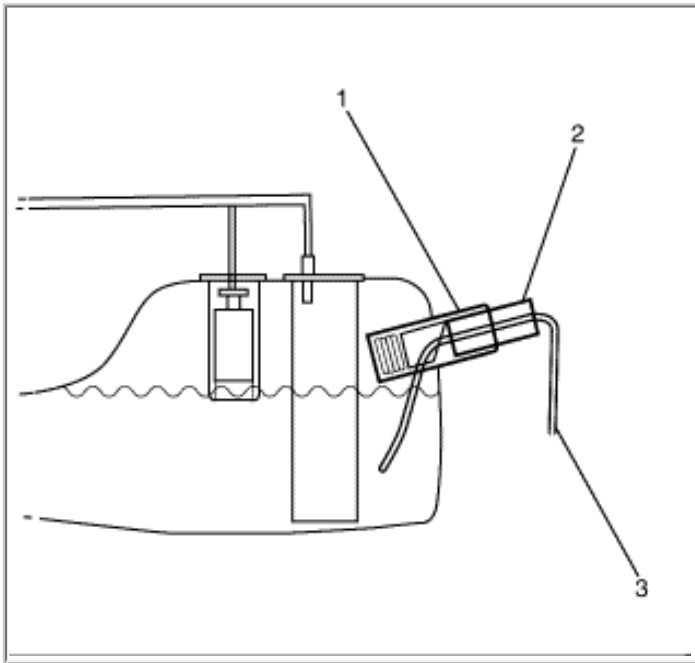


Note: Up to approximately 36 liters (8 gallons) of residual fuel may remain in the secondary side of the fuel tank.

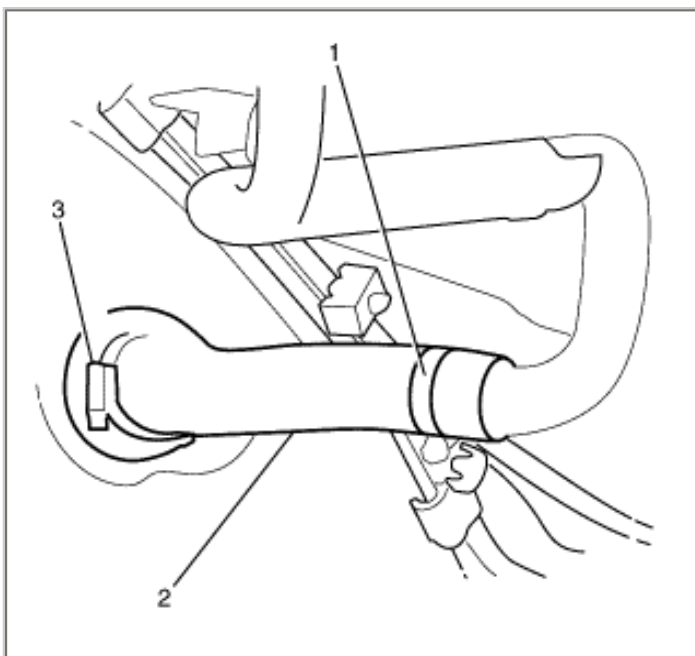
Note: The fuel flapper door holder (2) J 42960-2 is used to keep the roll over anti spill valve open.

8. Install the fuel flapper door holder (2) J 42960-2 to the fuel tank fuel filler pipe (1).
9. Insert the fuel tank drain hose (3) J 45004 through the fuel flapper door holder (2) J 42960-2 until the fuel tank drain hose (3) J 45004 reaches the bottom of the tank.
10. Use a commercially available pump to drain the fuel from the fuel tank.

### Adding The Drained Fuel to The Fuel Tank for Method 1



1. Remove the fuel tank drain hose (3) J 45004 from the fuel flapper door holder (2) J 42960-2.
2. Remove the fuel flapper door holder (2) J 42960-2 from the fuel tank fuel filler pipe (1).



## Warning

Never drain or store fuel in an open container. Always use an approved fuel storage container in order to reduce the chance of fire or explosion.

3. Install the [fuel filler hose](#) (2) to the vehicle.

Caution: Refer to Fastener Caution ([See: Service Precautions\Vehicle Damage Warnings\Fastener Caution](#)).

4. Install the retaining hose clamp (3) to the [fuel filler hose](#) (2) and tighten to 4 Nm (35 lb in).
5. Install the retaining hose clamp (1) to the fuel filler hose (2) and tighten to 4 Nm (35 lb in).
6. Install the right rear wheel. Refer to Tire and Wheel Removal and Installation ([See: Maintenance\Wheels and Tires\Service and Repair](#)).
7. Lower the vehicle to the ground. Refer to Lifting and Jacking the Vehicle ([See: Maintenance\Vehicle Lifting\Service and Repair](#)).
8. Add the drained fuel to the fuel tank.
9. Connect the battery negative cable. Refer to Battery Negative Cable Disconnection and Connection ([See: Starting and Charging\Battery\Battery Cable, Negative\Service and Repair\Battery Negative Cable Disconnection and Connection](#)).

## Fuel Tank Draining Method 2

1. Install the [fuel pressure](#) gauge to the vehicle. Refer to Fuel Pressure Gauge Installation and Removal ([See: Fuel Pressure\Testing and Inspection\Fuel Pressure Gauge Installation and Removal](#)).
2. Place the bleed hose of the [fuel pressure](#) gauge into a suitable container.

Note: Do not leave the vehicle unattended when performing this procedure.

3. Command the [fuel pump](#) ON with a scan tool.

Note: Do not fully open the bleed valve on the [fuel pressure](#) gauge. To drain both sides of the fuel tank simultaneously there should be a restriction on the flow rate at the bleed hose.

4. Open the bleed valve on the [fuel pressure](#) gauge just enough to cause a restriction to the flow of the fuel rate at the bleed hose.

Note: To avoid damage to the [fuel pump](#) do not allow the fuel pump to run dry while the fuel pump is in the ON state.

5. Command the [fuel pump](#) OFF with the scan tool as soon as it is observed that no more fuel is coming out of the bleed hose.
6. Remove the [fuel pressure](#) gauge from the vehicle. Refer to Fuel Pressure Gauge Installation and Removal ([See: Fuel Pressure\Testing and Inspection\Fuel Pressure Gauge Installation and Removal](#)).

## Adding The Drained Fuel to The Fuel Tank for Method 2

1. Lower the vehicle to the ground. Refer to Lifting and Jacking the Vehicle ([See: Maintenance\Vehicle Lifting\Service and Repair](#)).

2. Add the drained fuel to the fuel tank.

[Select Vehicle](#) | [New TSBs](#) | [Technician's Reference](#) | Component Search:

[Conversion Calculator](#)

## 2010 Chevrolet Camaro V8-6.2L

[Vehicle Level](#) → [Powertrain Management](#) → [Fuel Delivery and Air Induction](#) → [Fuel Tank](#) → [Service and Repair](#) → [Removal and Replacement](#)

### Removal and Replacement

## Fuel Tank Replacement

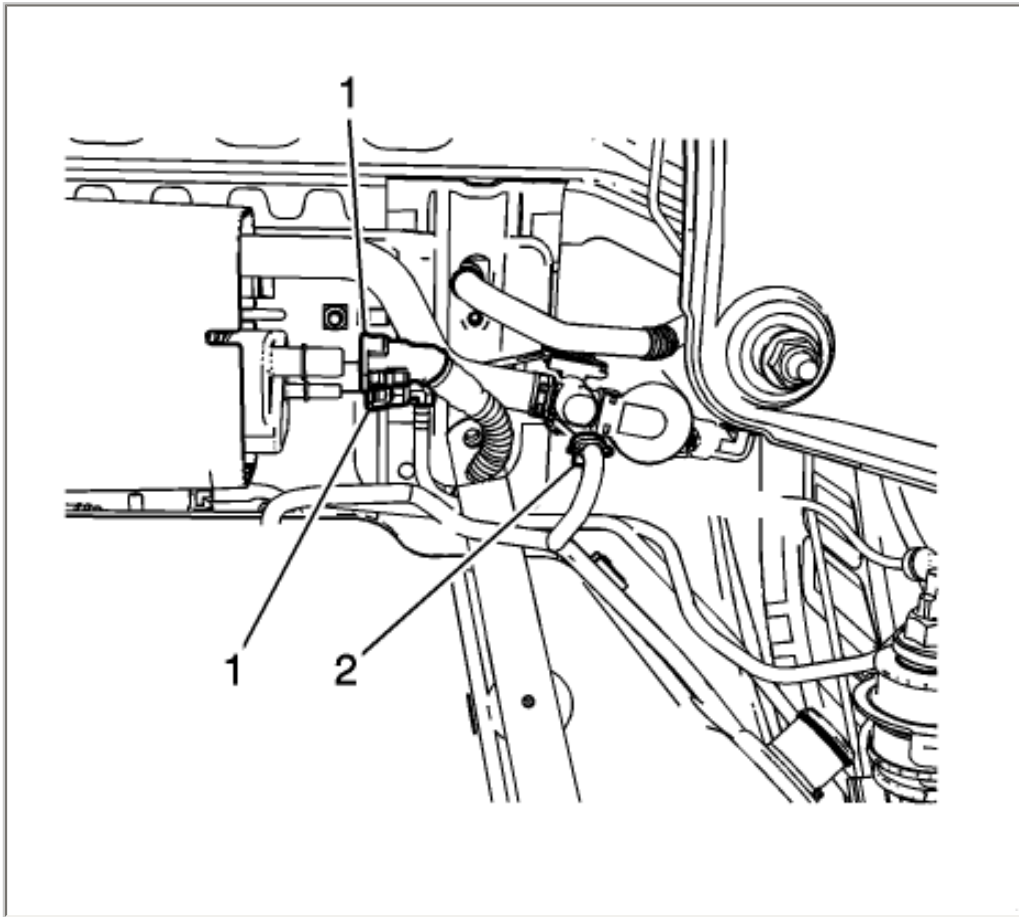
### Removal Procedure

**Danger:** To avoid any vehicle damage, serious personal injury or death when major components are removed from the vehicle and the vehicle is supported by a hoist, support the vehicle with jack stands at the opposite end from which the components are being removed and strap the vehicle to the hoist.

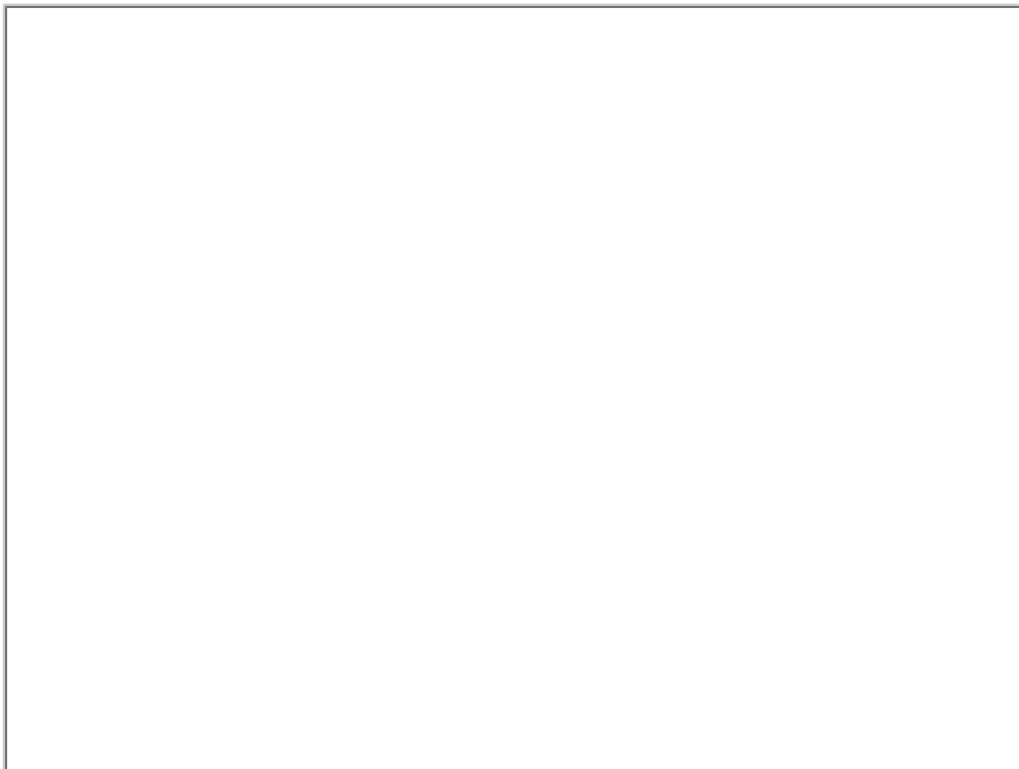
**Warning:** Refer to Gasoline/Gasoline Vapors Warning ([See: FuelService Precautions](#)).

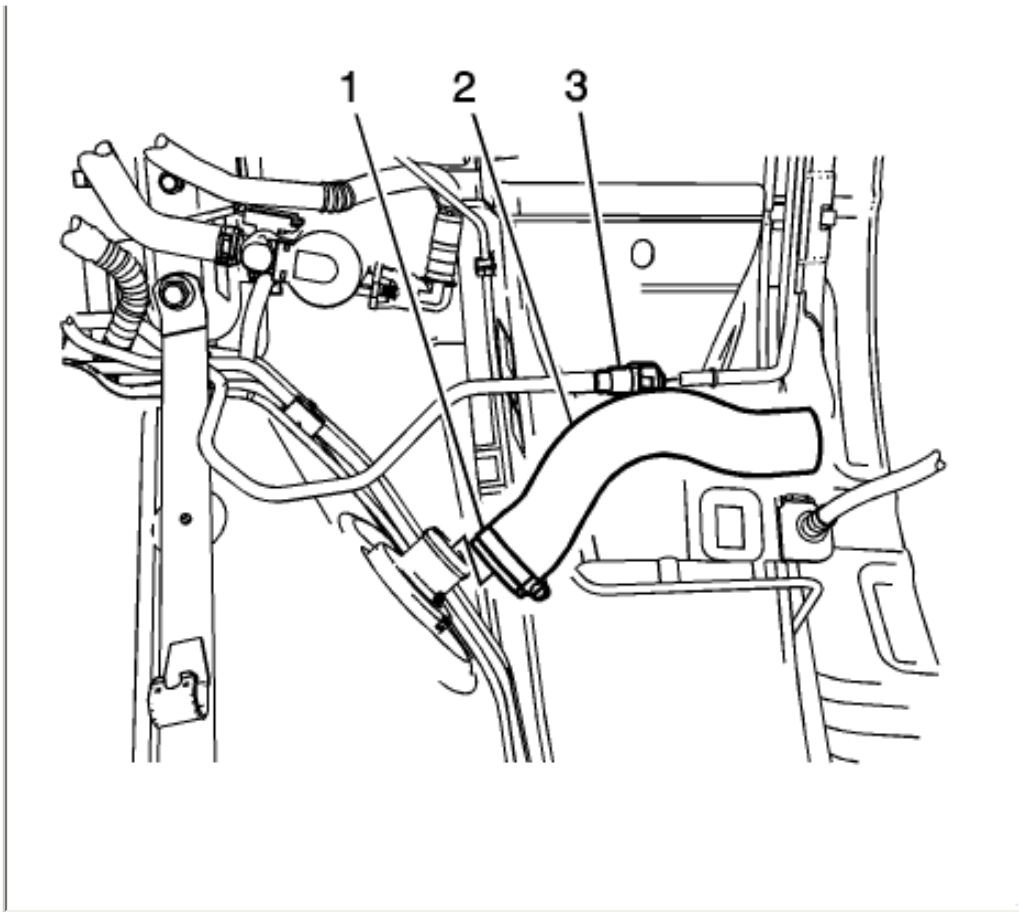
**Warning:** Refer to Safety Glasses Warning ([See: Service Precautions\Technician Safety Information\Safety Glasses Warning](#)).

1. Relieve the system [fuel pressure](#). Refer to Fuel Pressure Relief ([See: Fuel Pressure Release\Service and Repair](#)).
  2. Drain the fuel tank. Refer to Fuel Tank Draining ([See: Procedures](#)).
  3. Raise and support the vehicle. Refer to Lifting and Jacking the Vehicle ([See: Maintenance\Vehicle Lifting\Service and Repair](#)).
  4. Remove the right rear wheel. Refer to Tire and Wheel Removal and Installation ([See: Maintenance\Wheels and Tires \Service and Repair](#)).
  5. Remove the exhaust system for access. Refer to Exhaust Muffler with Resonator, Exhaust, and Tail Pipe Replacement ([See: Engine, Cooling and Exhaust\Exhaust System\Muffler\Service and Repair\Exhaust Muffler with Resonator, Exhaust, and Tail Pipe Replacement](#)).
  6. Remove the propeller shaft. Refer to Two-Piece Propeller Shaft Replacement ([See: Transmission and Drivetrain\Drive/ Propeller Shafts, Bearings and Joints\Drive/Propeller Shaft\Service and Repair\Two-Piece Propeller Shaft Replacement](#)).
  7. Remove the park brake cables. Refer to Parking Brake Rear Cable Replacement ([See: Brakes and Traction Control \Parking Brake System\Parking Brake Cable\Service and Repair](#)).
- Support the rear suspension with a jack stand.
  - Remove the front support bolts.
  - Loosen the rear support bolts in order to slide the fuel tank out.
  - For tightening specifications, refer to Rear Suspension Support Replacement ([See: Body and Frame\Frame \Rear Cross-Member\Service and Repair](#)).

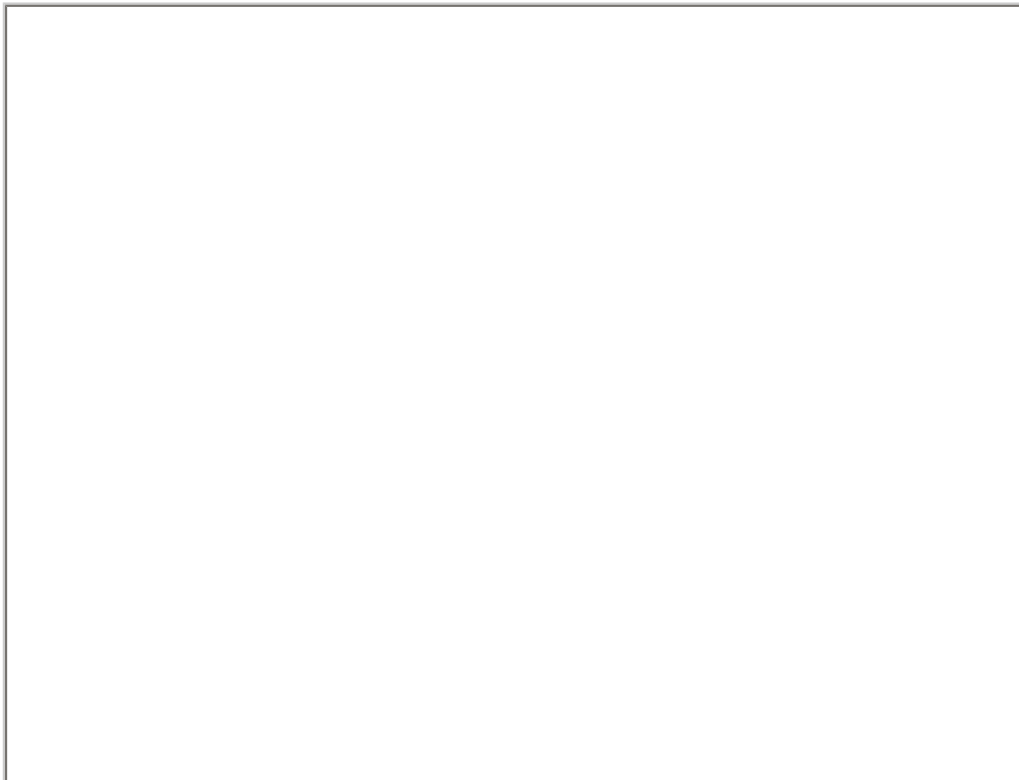


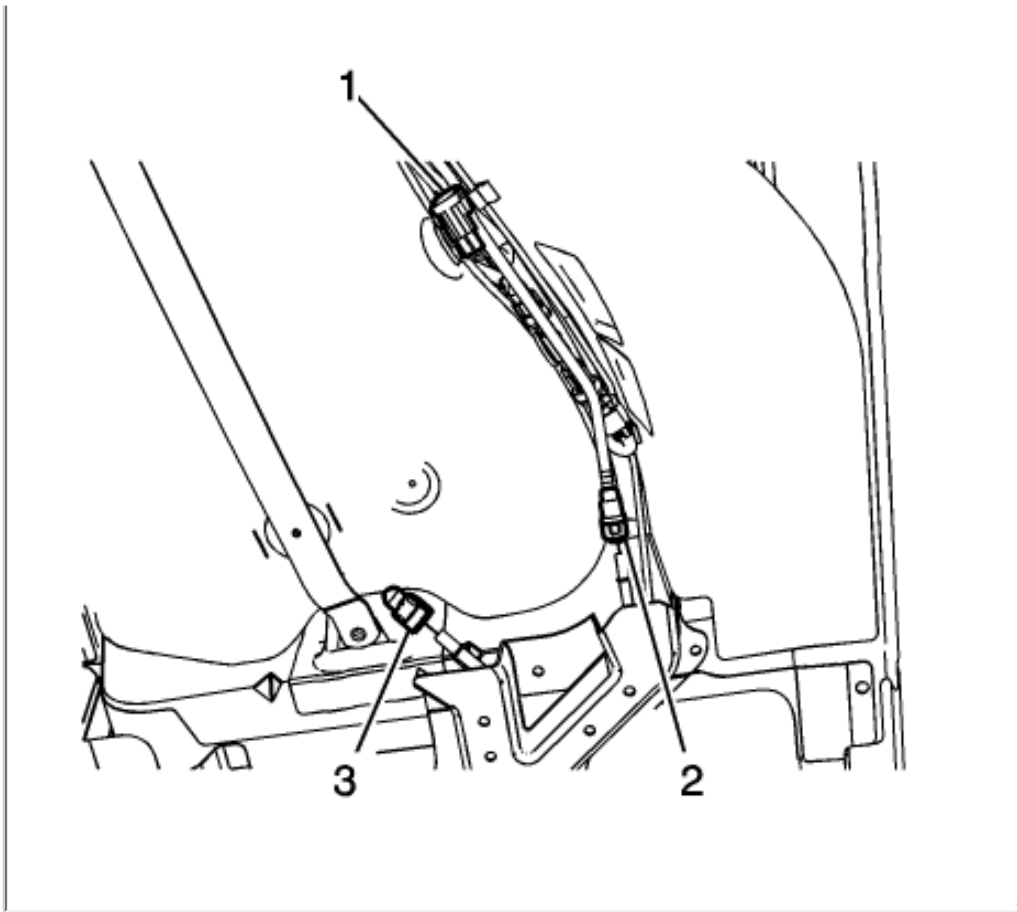
8. Disconnect the evaporative emission lines (1). Refer to Plastic Collar Quick Connect Fitting Service ([See: Fuel Line Coupler Service and Repair Plastic Collar Quick Connect Fitting Service](#)).
9. Disconnect the vent solenoid electrical connector (2).



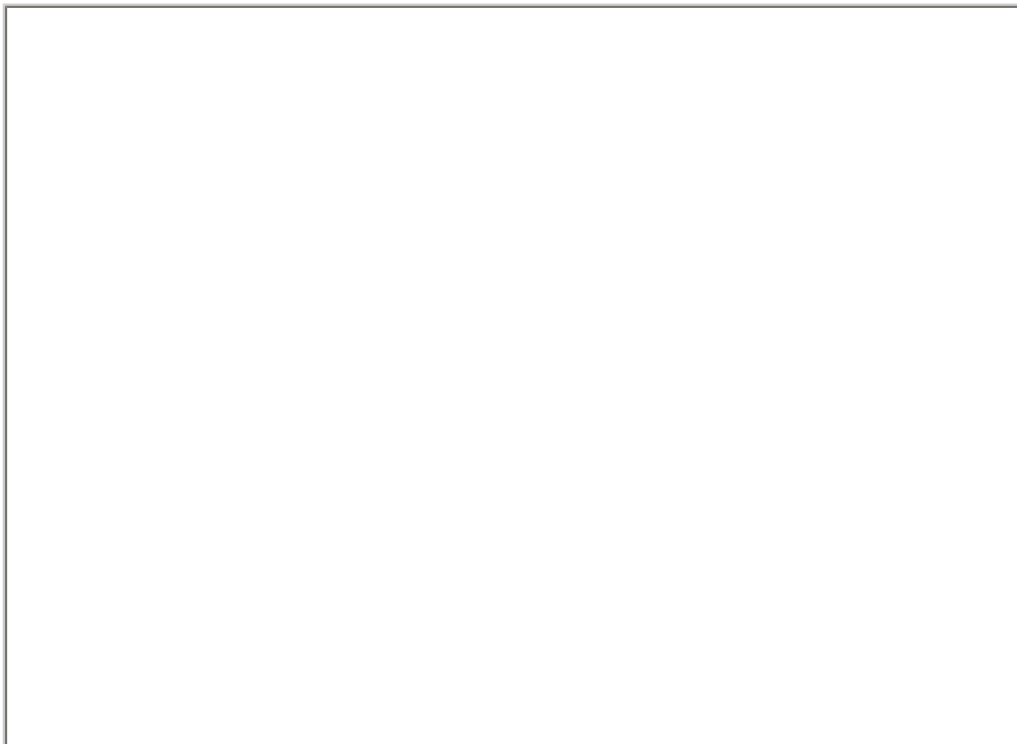


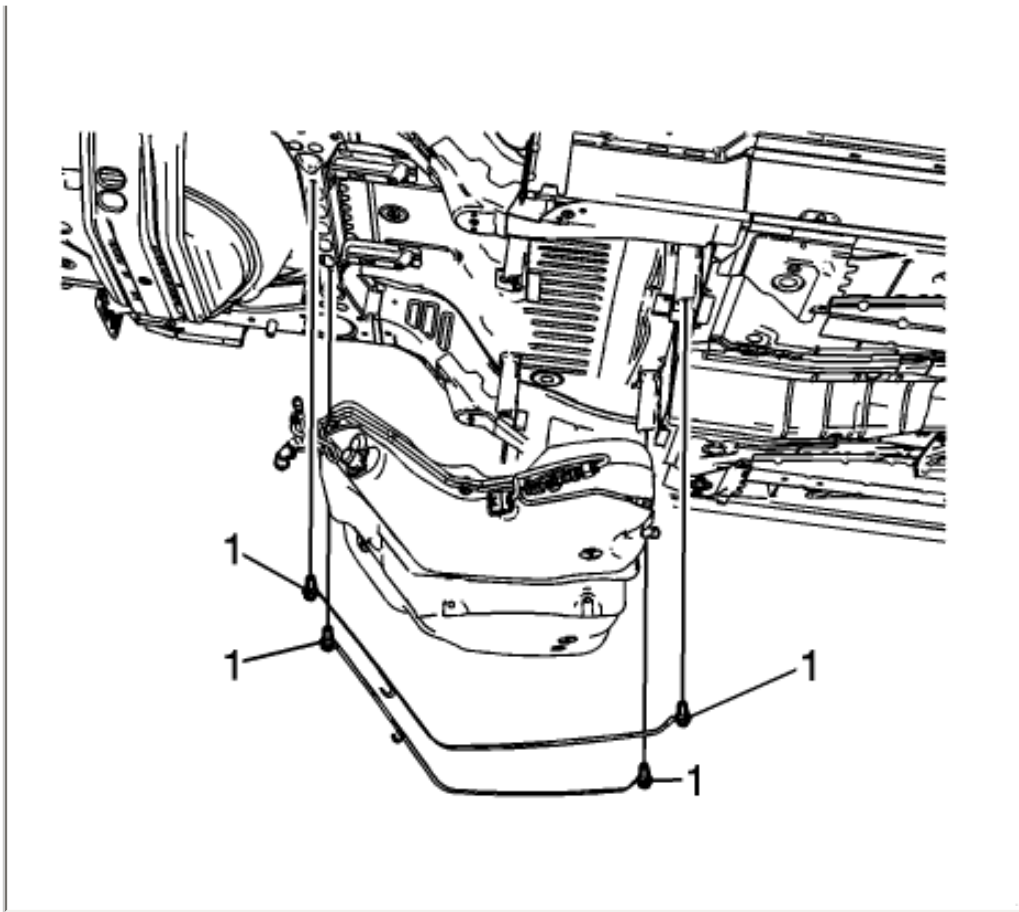
10. Loosen the hose clamp (1) and remove the filler tube (2).
11. Disconnect the evaporative emission line (3). Refer to Plastic Collar Quick Connect Fitting Service ([See: Fuel Line Coupler Service and Repair](#) Plastic Collar Quick Connect Fitting Service).





12. Disconnect the fuel tank electrical connector (1).
13. Disconnect the fuel feed line (3) and evaporative emission line (2). Refer to Plastic Collar Quick Connect Fitting Service ([See: Fuel Line Coupler\Service and Repair\Plastic Collar Quick Connect Fitting Service](#)) and Metal Collar Quick Connect Fitting Service ([See: Fuel Line Coupler\Service and Repair\Metal Collar Quick Connect Fitting Service](#)).



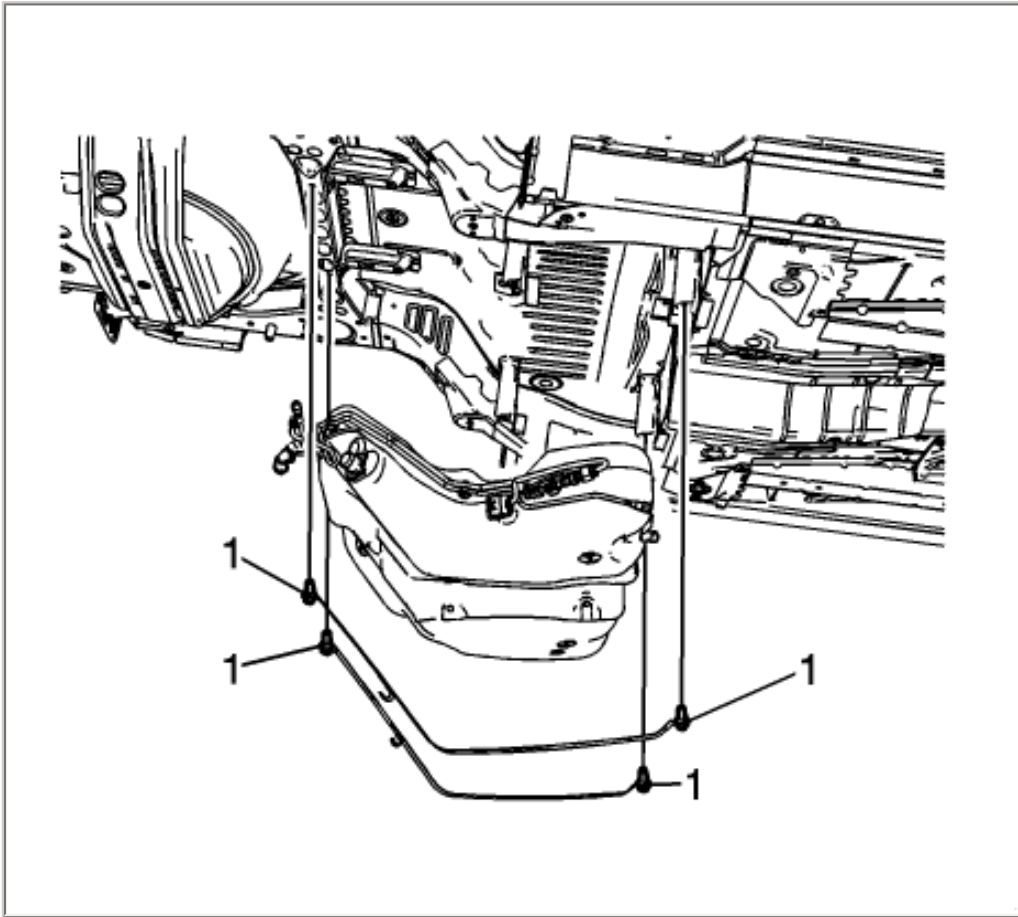


14. Support the fuel tank with a suitable jack.
15. Remove the fuel tank strap bolts (1).
16. Remove the fuel tank.
17. Remove the following components if replacing just the fuel tank.

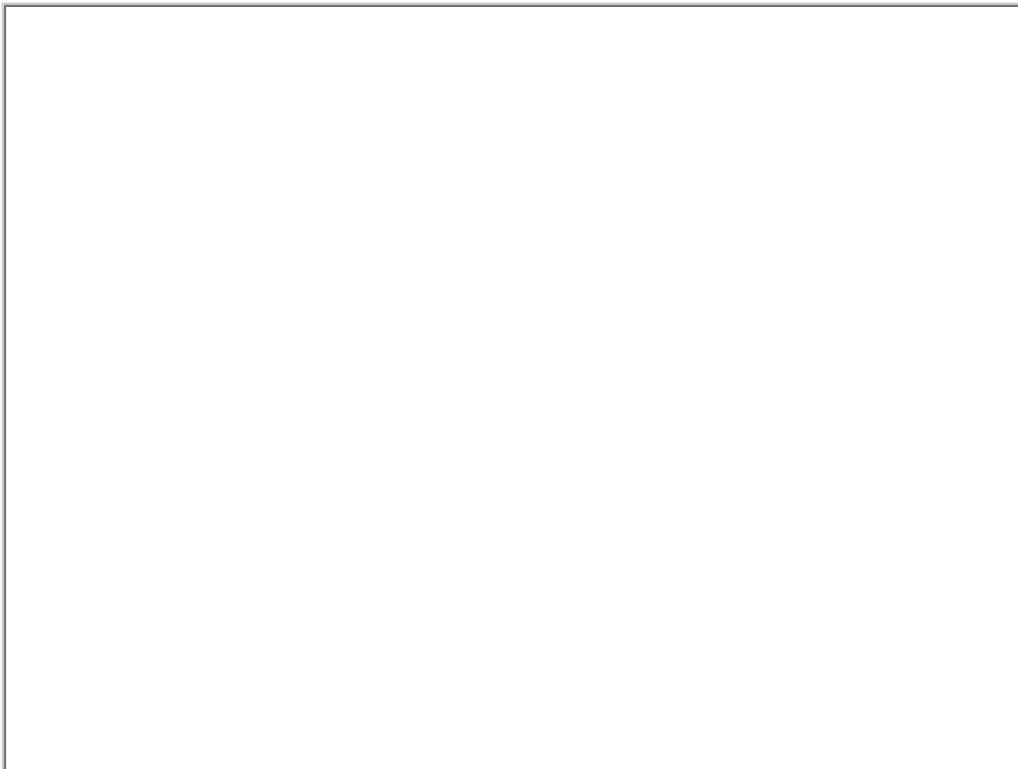
1. Fuel pump module. Refer to Fuel Tank Fuel Pump Module Replacement - Right Side ([See: Fuel Pump\Service and Repair\Fuel Tank Fuel Pump Module Replacement - Right Side](#)).
2. Fuel level sensor. Refer to Fuel Level Sensor Replacement - Left Side ([See: Computers and Control Systems\Fuel Level Sensor\Service and Repair\Fuel Level Sensor Replacement - Left Side](#)).
3. Transfer components as necessary.

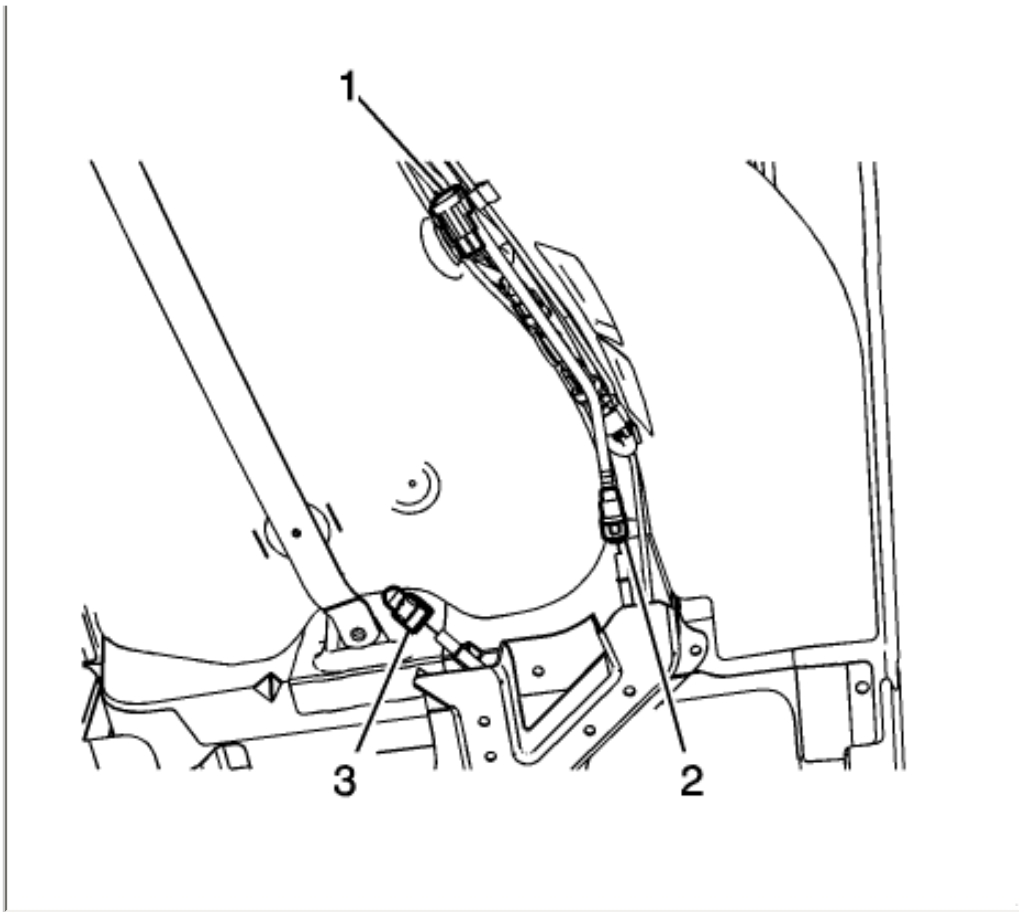
## Installation Procedure

1. Install the following components if fuel tank replacement was necessary:
  1. Fuel pump module. Refer to Fuel Tank Fuel Pump Module Replacement - Right Side ([See: Fuel Pump\Service and Repair\Fuel Tank Fuel Pump Module Replacement - Right Side](#)).
  2. Fuel level sensor. Refer to Fuel Level Sensor Replacement - Left Side ([See: Computers and Control Systems\Fuel Level Sensor\Service and Repair\Fuel Level Sensor Replacement - Left Side](#)).

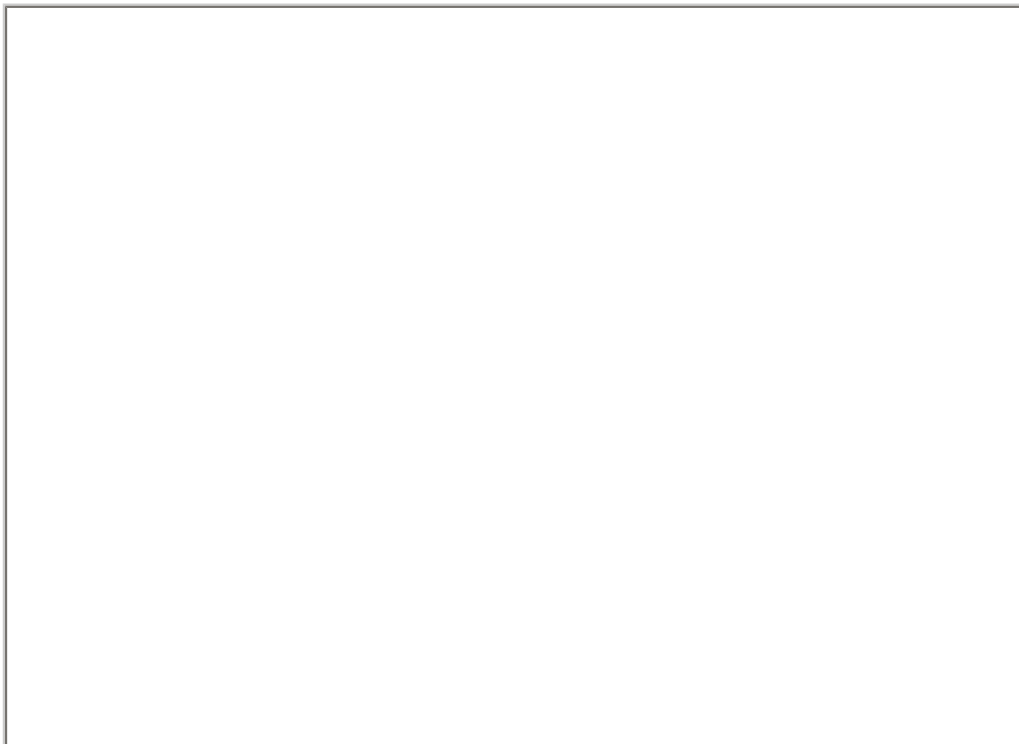


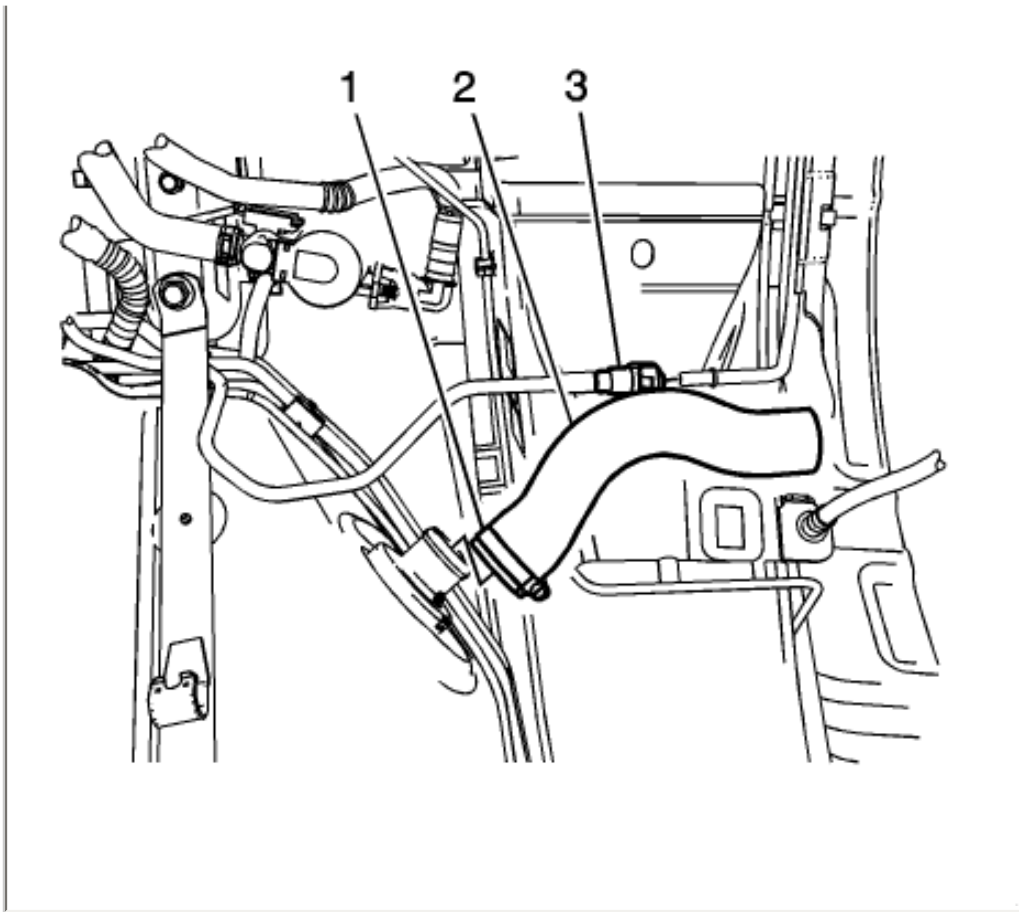
2. Use a suitable jack and install the fuel tank. Caution: Refer to Fastener Caution ([See: Service Precautions\Vehicle Damage Warnings\Fastener Caution](#)).
3. Install the fuel tank strap bolts (1) and tighten to 50 Nm (37 lb ft) .



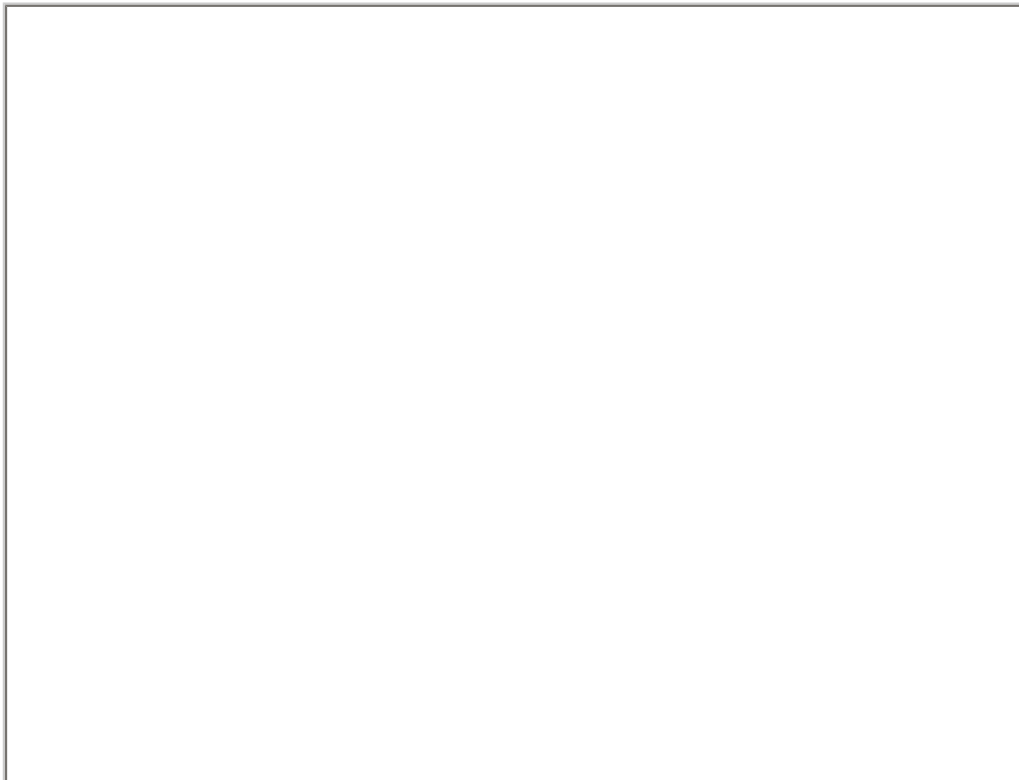


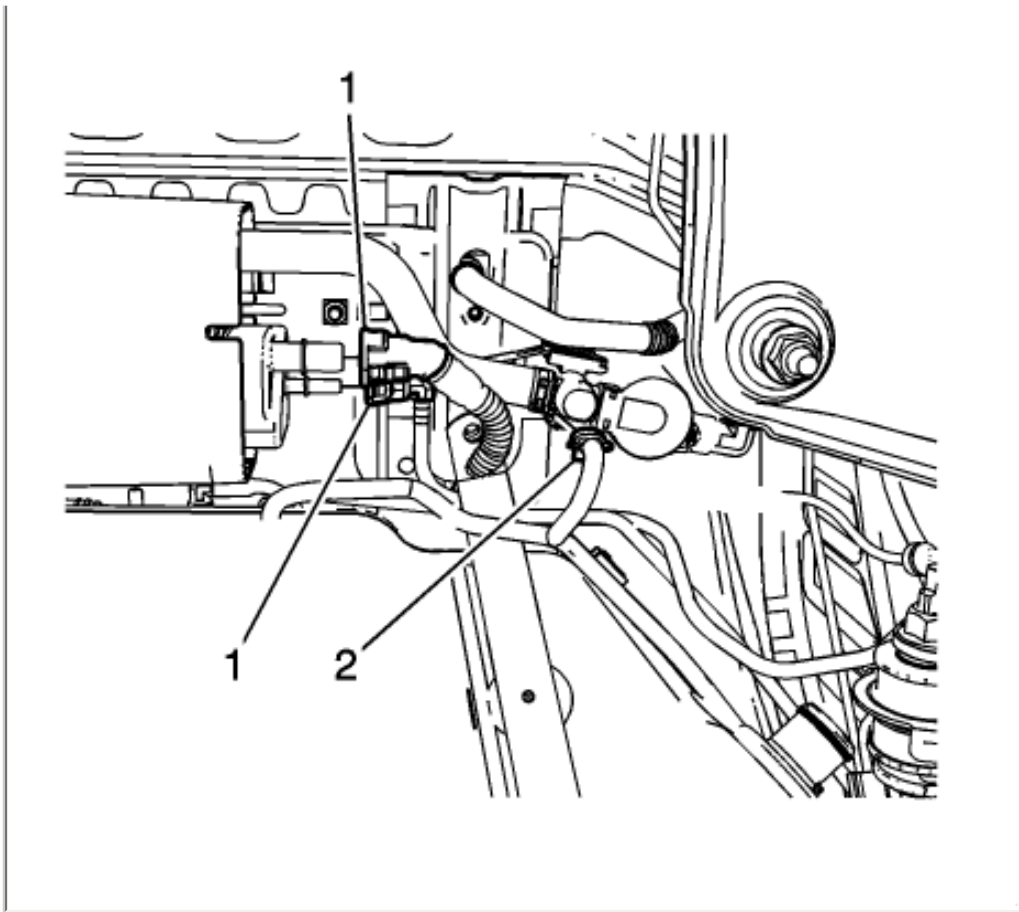
4. Connect the fuel tank electrical connector (1).
5. Connect the fuel feed line (2) and evaporative emission line (3). Refer to Plastic Collar Quick Connect Fitting Service ([See: Fuel Line Coupler\Service and Repair\Plastic Collar Quick Connect Fitting Service](#)) and Metal Collar Quick Connect Fitting Service ([See: Fuel Line Coupler\Service and Repair\Metal Collar Quick Connect Fitting Service](#)).





6. Install the filler tube (2) and tighten the hose clamp (1) to 4 Nm (35 lb in) and remove the filler tube (2).
7. Connect the evaporative emission line (3). Refer to Plastic Collar Quick Connect Fitting Service ([See: Fuel Line Coupler Service and Repair\Plastic Collar Quick Connect Fitting Service](#)).





8. Connect the evaporative emission lines (1). Refer to Plastic Collar Quick Connect Fitting Service ([See: Fuel Line Coupler\Service and Repair\Plastic Collar Quick Connect Fitting Service](#)).
9. Connect the vent solenoid electrical connector (2).
10. Connect the parking brake cables at the calipers. Refer to Parking Brake Rear Cable Replacement ([See: Brakes and Traction Control\Parking Brake System\Parking Brake Cable\Service and Repair](#)).
11. Install the rear suspension support and tighten to specifications. Refer to Rear Suspension Support Replacement ([See: Body and Frame\Frame\Rear Cross-Member\Service and Repair](#)).
12. Install the park brake cables. Refer to Parking Brake Rear Cable Replacement ([See: Brakes and Traction Control\Parking Brake System\Parking Brake Cable\Service and Repair](#)).
13. Install the propeller shaft. Refer to Two-Piece Propeller Shaft Replacement ([See: Transmission and Drivetrain\Drive/Propeller Shafts, Bearings and Joints\Drive/Propeller Shaft\Service and Repair\Two-Piece Propeller Shaft Replacement](#)).
14. Install the exhaust system for access. Refer to Exhaust Muffler with Resonator, Exhaust, and Tail Pipe Replacement ([See: Engine, Cooling and Exhaust\Exhaust System\Muffler\Service and Repair\Exhaust Muffler with Resonator, Exhaust, and Tail Pipe Replacement](#)).
15. Install the right rear wheel. Refer to Tire and Wheel Removal and Installation ([See: Maintenance\Wheels and Tires\Service and Repair](#)).
16. Refill the fuel tank.
17. Inspect for fuel leaks.

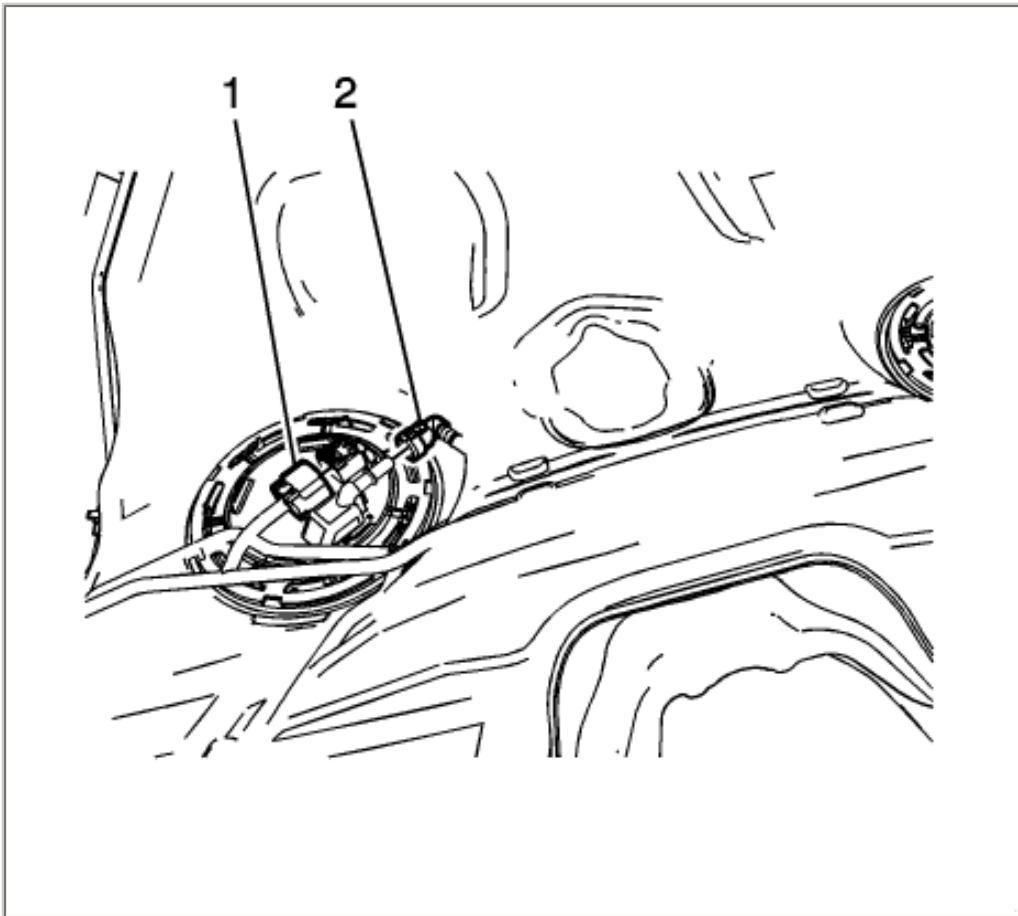


[Select Vehicle](#) | [New TSBs](#) | [Technician's Reference](#) | Component Search:[Conversion Calculator](#)**2010 Chevrolet Camaro V8-6.2L**[Vehicle Level](#) → [Powertrain Management](#) → [Fuel Delivery and Air Induction](#) → [Fuel Pump](#) → [Service and Repair](#) → [Fuel Tank Fuel Pump Module Replacement - Right Side](#) ←**Fuel Tank Fuel Pump Module Replacement - Right Side**[Fuel Tank](#) Fuel Pump Module Replacement - Right Side

## Special Tools

J 45722 Fuel Sender Lock Ring Wrench

## Removal Procedure



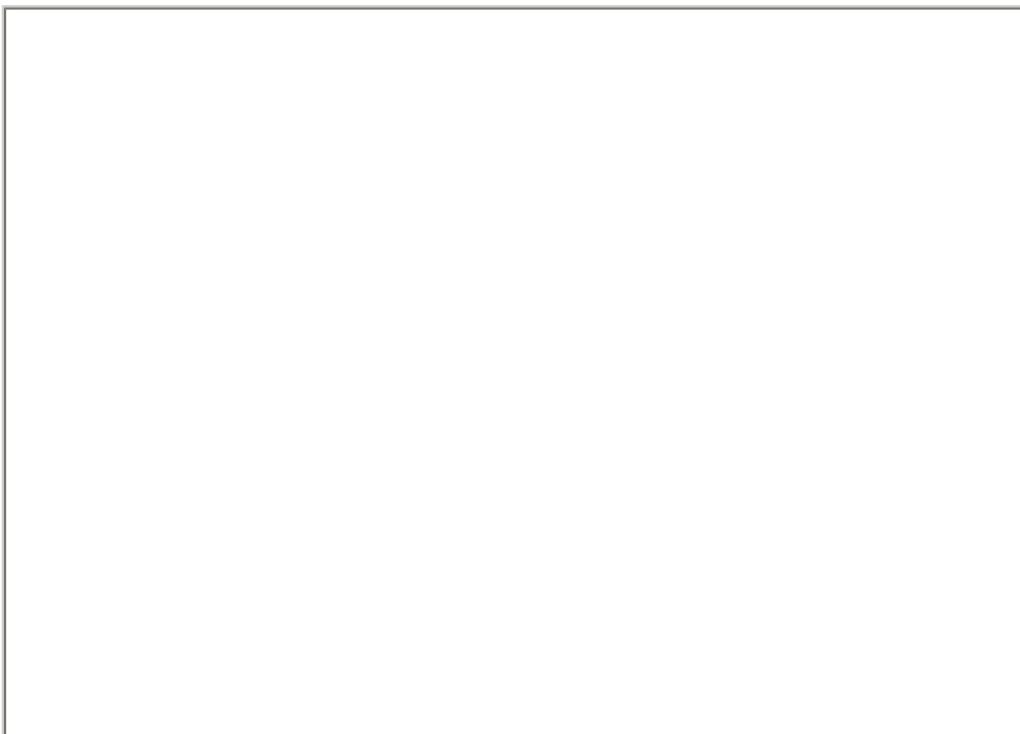
Warning: Refer to Gasoline/Gasoline Vapors Warning ([See: FuelService Precautions](#)).

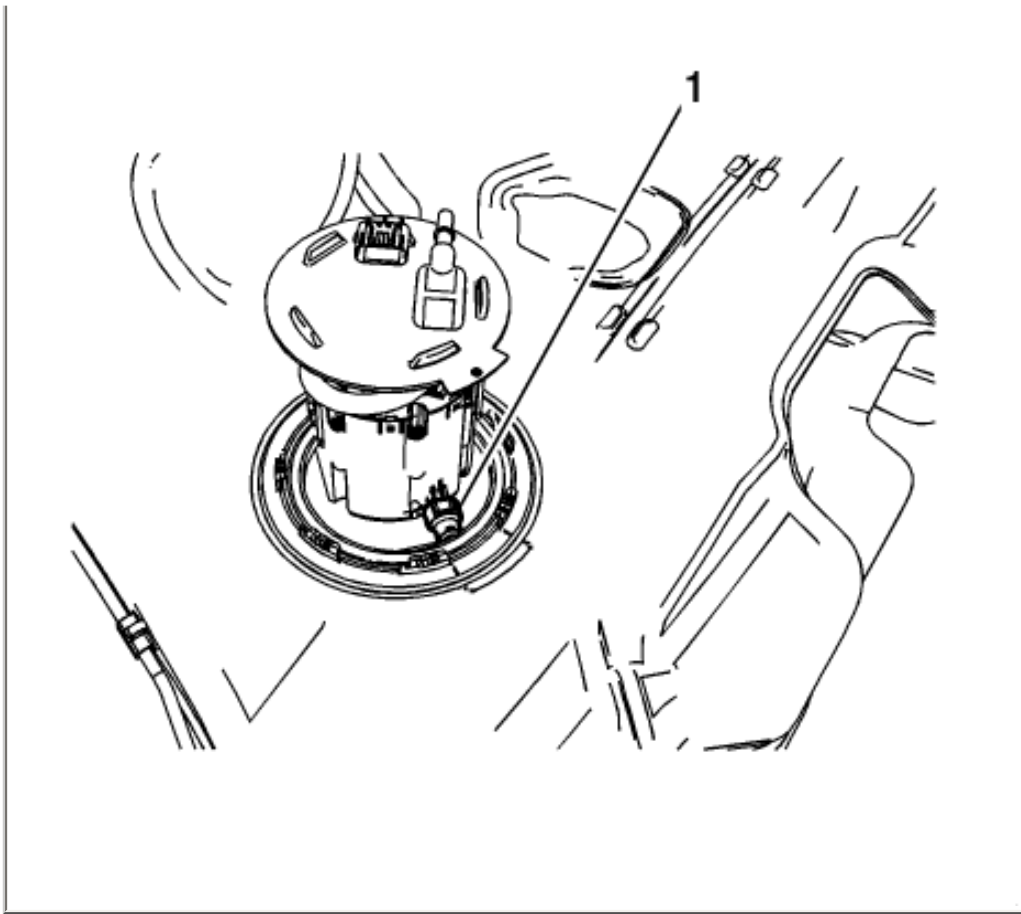
1. Remove the [fuel tank](#). Refer to Fuel Tank Replacement ([See: Fuel Tank\Service and Repair\Removal and Replacement](#)).

2. Disconnect the fuel pump electrical connector (1) and the fuel feed line (2). Refer to Plastic Collar Quick Connect Fitting Service ([See: Fuel Line Coupler Service and Repair](#)[Plastic Collar Quick Connect Fitting Service](#)).

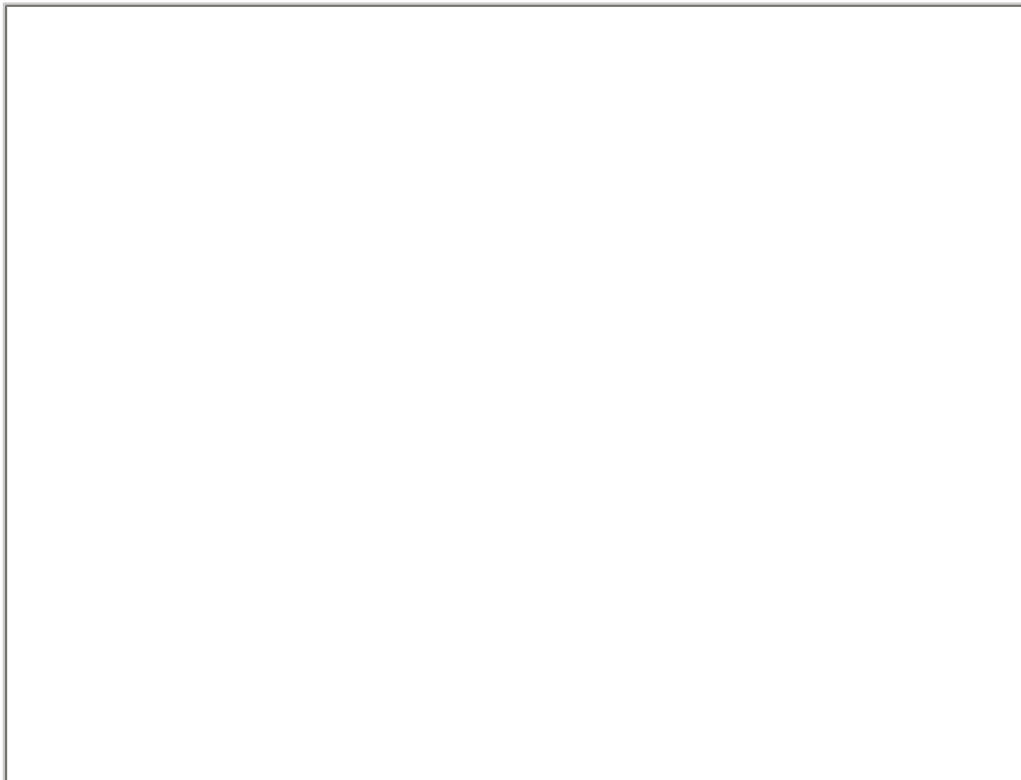


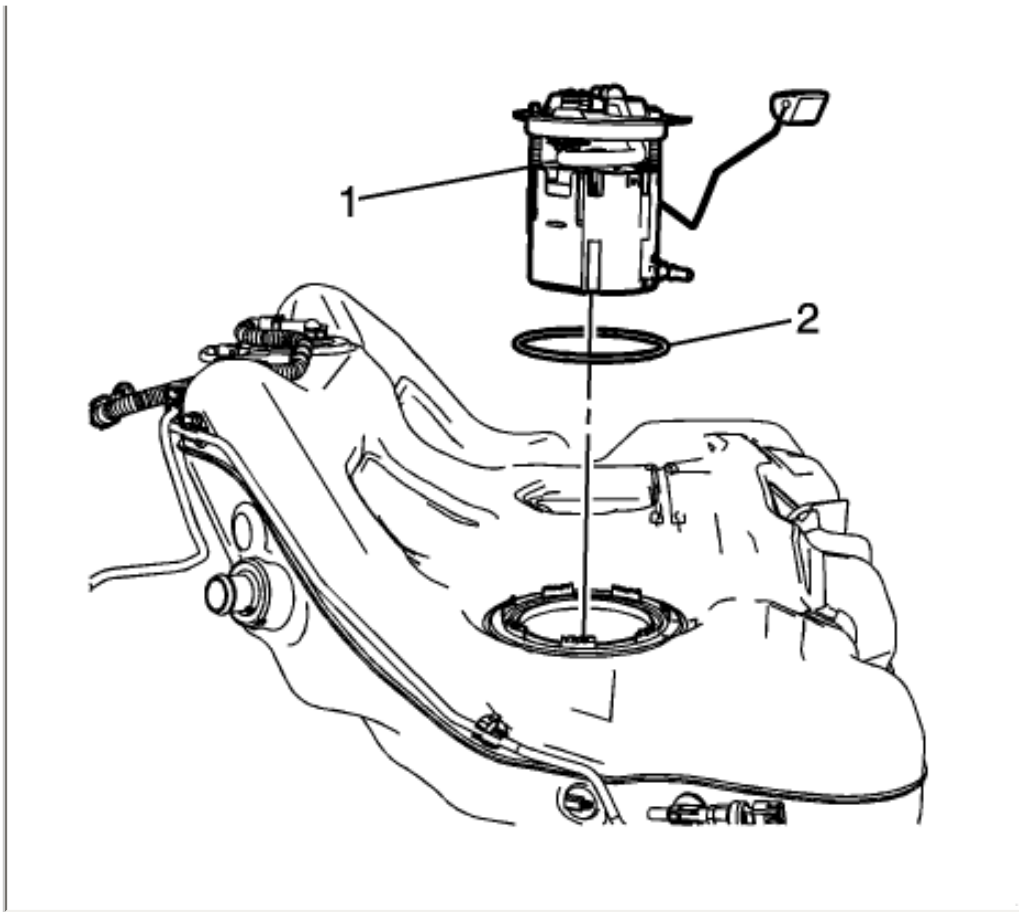
3. Use the J 45722 - wrench by turning counter clockwise and remove the lock ring (1).





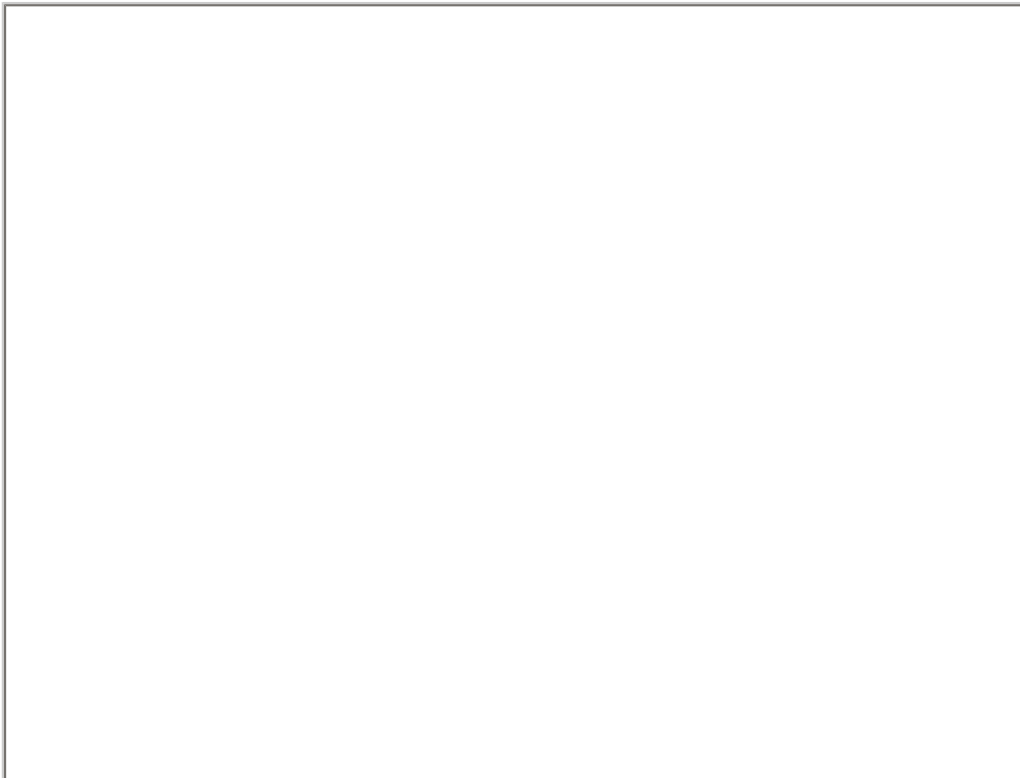
4. Partially remove the primary fuel tank module in order to disconnect the fuel transfer hose quick connect fitting (1). Refer to Plastic Collar Quick Connect Fitting Service ([See: Fuel Line Coupler/Service and Repair/Plastic Collar Quick Connect Fitting Service](#)).

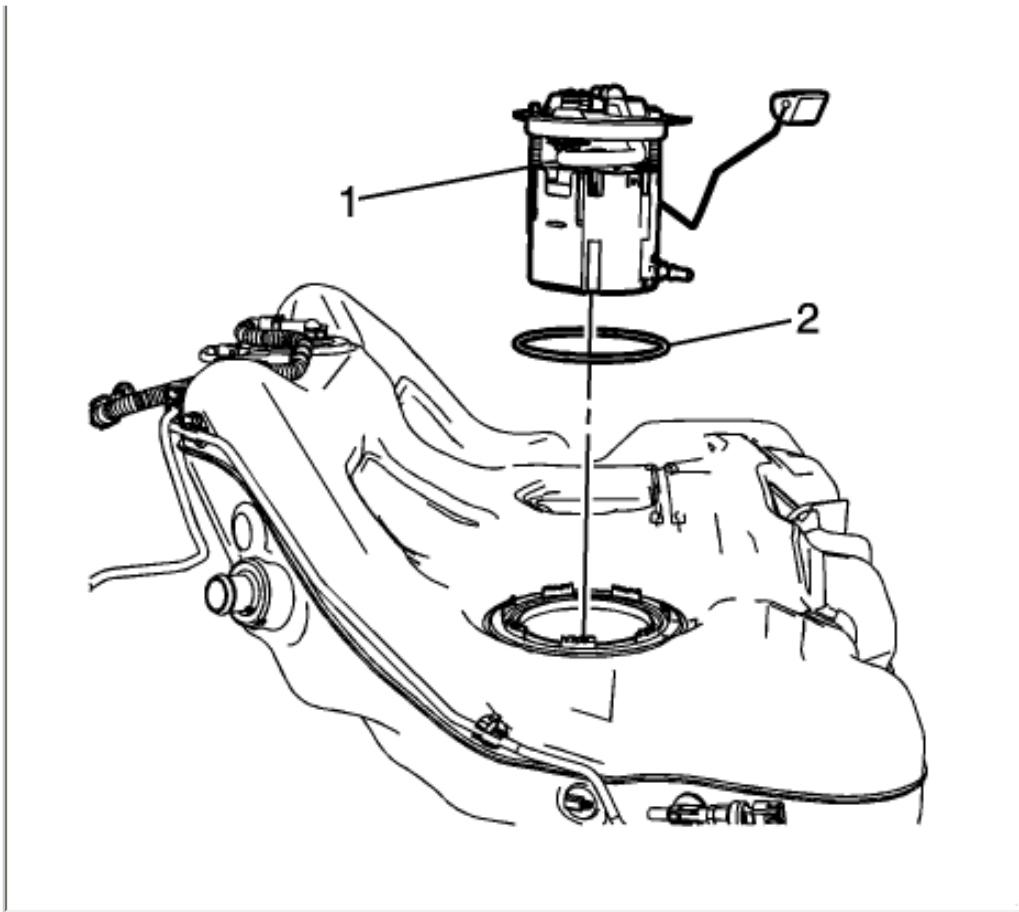




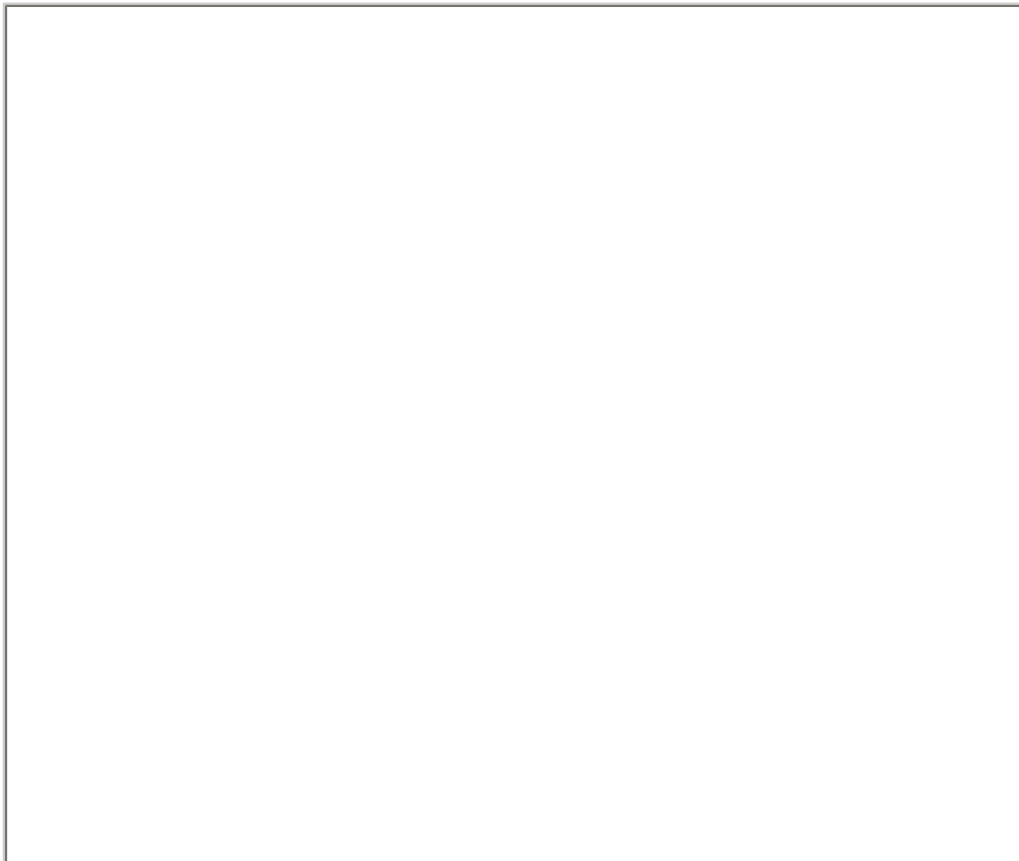
5. Remove the primary fuel tank module (1) and seal (2) from the [fuel tank](#).

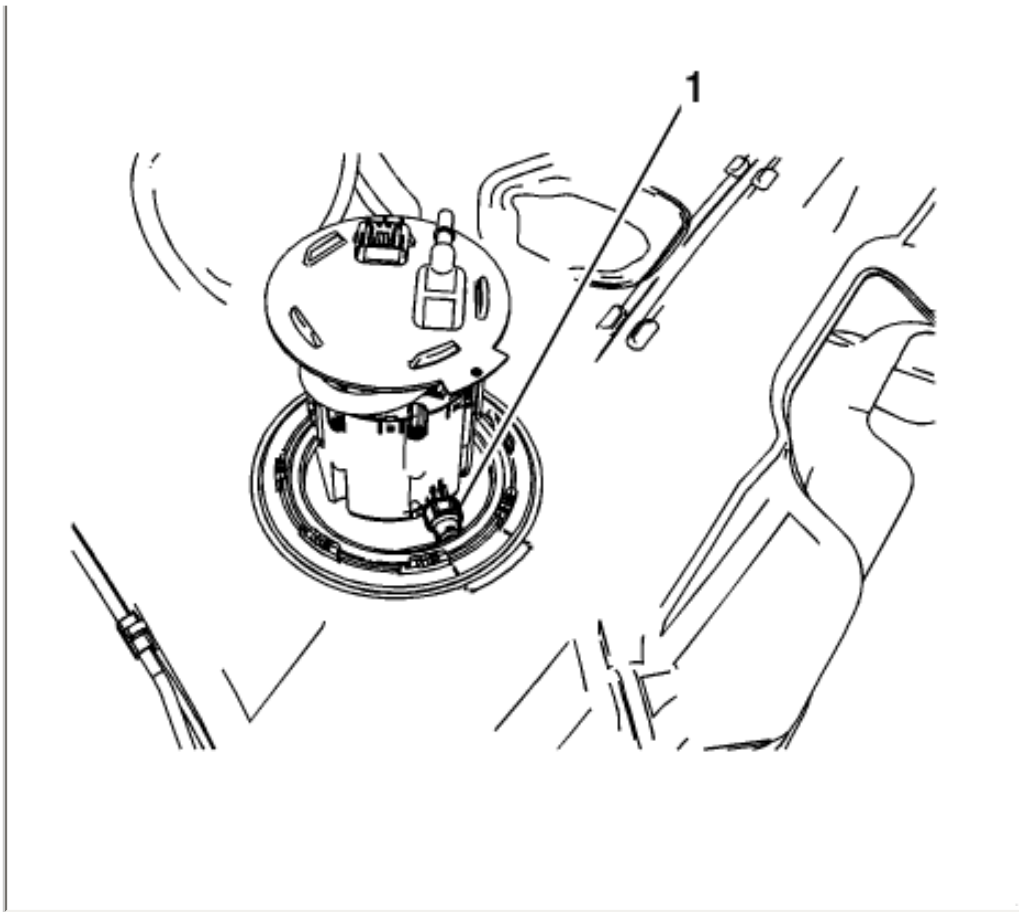
### Installation Procedure



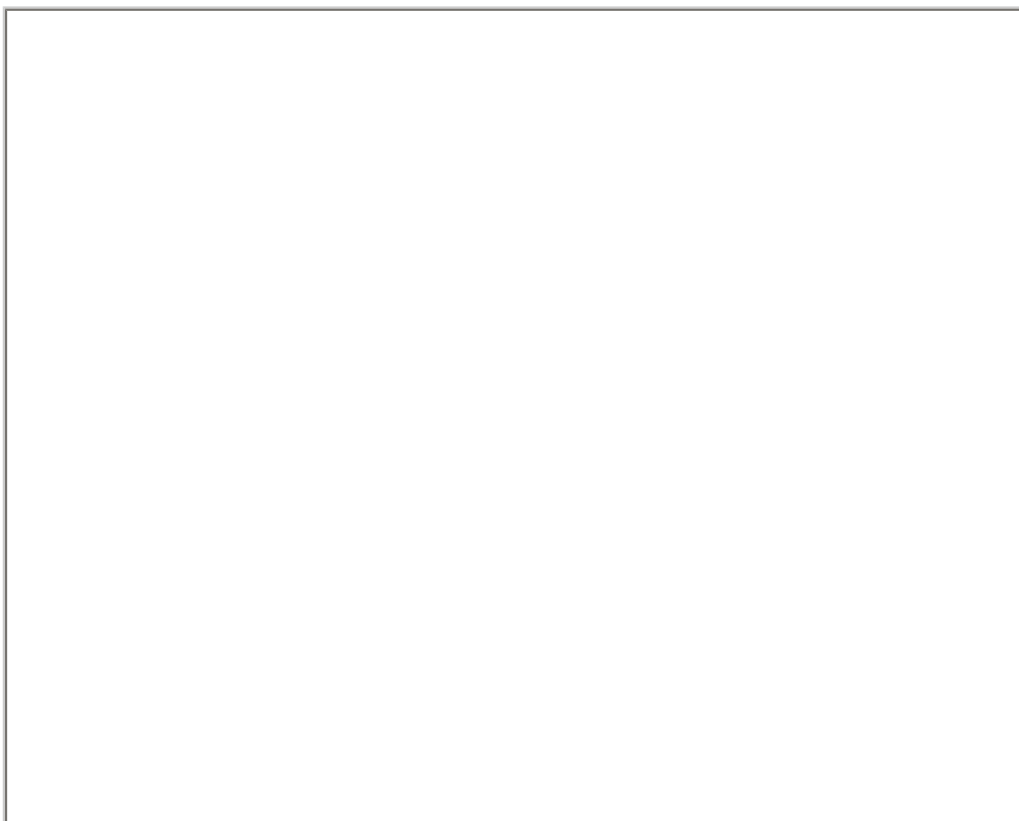


1. Install a NEW seal (2) and partially install the primary fuel tank module (1).



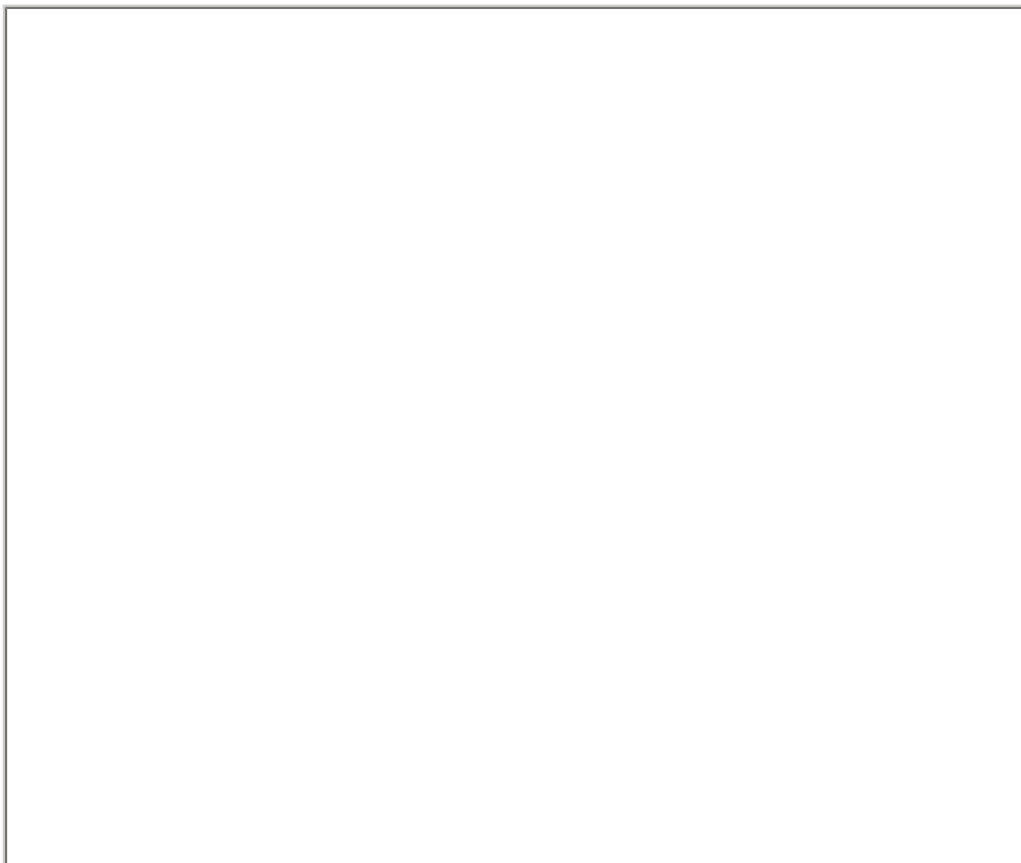


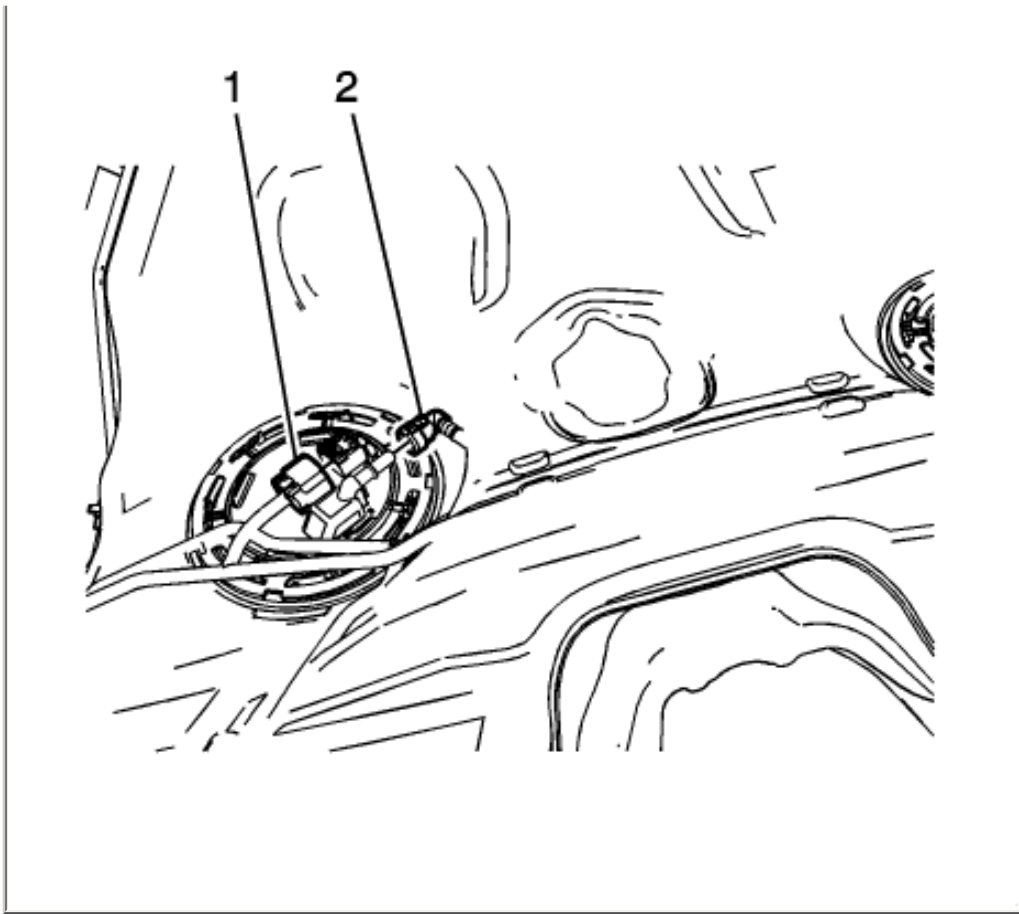
2. Connect the fuel transfer hose quick connect fitting (1). Refer to Plastic Collar Quick Connect Fitting Service ([See: Fuel Line Coupler Service and Repair/Plastic Collar Quick Connect Fitting Service](#)).





3. Use the J 45722 - wrench by turning clockwise and install the lock ring (1).





4. Connect the fuel pump electrical connector (1) and the fuel feed line (2). Refer to Plastic Collar Quick Connect Fitting Service ([See: Fuel Line Coupler\Service and Repair\Plastic Collar Quick Connect Fitting Service](#)).
5. Install the [fuel tank](#). Refer to Fuel Tank Replacement ([See: Fuel Tank\Service and Repair\Removal and Replacement](#)).